



CRIMPING MACHINE EPS 15000 FOR H/Y-CONNECTORS

PROCESSING OF HIGH VOLTAGE CABLES

Production of H- and Y-connectors

The high-performance eccentric press is designed for the production of high-voltage connectors for the highest quality requirements in electromobility.

Pre-assembled components are inserted into the machines by the operator and the crimping process is started automatically. The robust machine design enables high durability and reproducibility of the crimp connections.

Functions for quality assurance

Optical control functions check the completeness of the components inserted in the sliding table and thus support quality assurance.

Crimp force monitoring reliably detects faulty crimps in order to sort out the cables concerned and not use them in the further process.

Wide range of use options

A high degree of flexibility is made possible by the simple changeover to another product to be processed.

The special sliding table is designed for the production H- and Y-connectors of the HPS40 high-voltage system, so that only wear parts need to be changed.

The ideal speed for the crimping process can be individually adjusted according to the existing terminal properties.

Modern operating interface

The touch screen control has an intuitive user interface for easy and safe operation of the crimping press in various languages.

Selecting different user roles and operating modes as well as machine networking functions provides flexible and modern process sequences.

PROCESSING OF HIGH VOLTAGE CABLES

High safety for the operator

The safety of the operator during processing of the crimping machine is ensured by a monitored safety device. Removal of protective covers interrupts the electrical safety circuit and the machine is stopped.

For safe test operation after changeover and after maintenance work, the machine is equipped with the proven handwheel.

Conform with the machinery directive

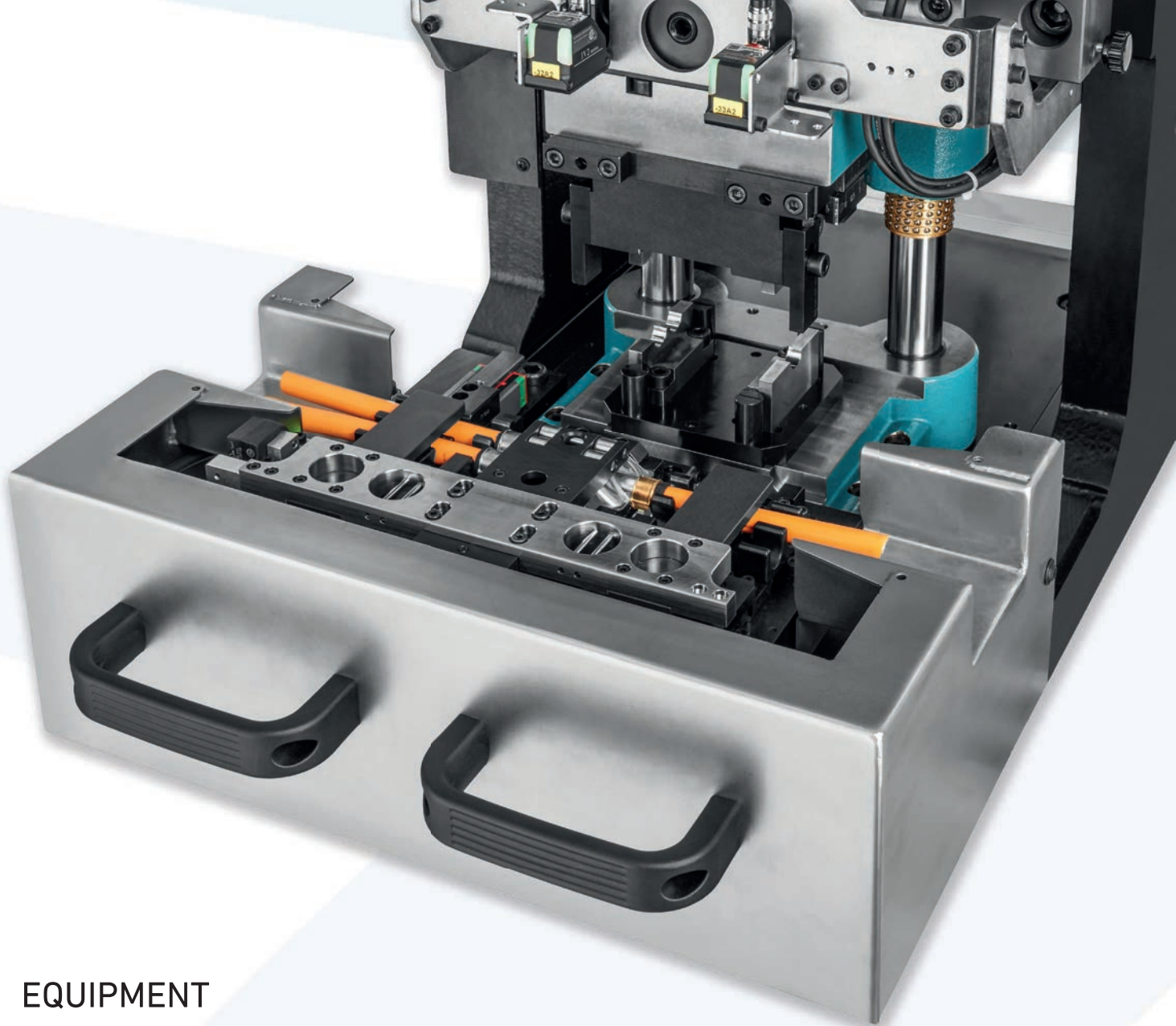
The crimping machine for production of high quality connections in terminal and wire processing fully complies with the European directives regarding mechanical and electrical safety as well as electro-magnetic compatibility.

TECHNICAL DATA

Processable materials	
Wire	Two-core sheathed cables
	Wire cross section: 2,5 mm ² , 4,0 mm ² or 6,0 mm ² [1]
	Cable outer diameter: 12 mm [1]
Terminals	Crimping sleeves HPS40
Connectors	H- and Y-distributors HPS40
Performance and geometry	
Drive	4 kW three-phase motor
Motor speed	1420 Rpm
Pressing force	150 kN
Stroke	50 mm
Closing height	Max. 204.8 mm
Controls	
HMI	STI 2015
Display	Touchscreen
Supplies and interfaces	
Power supply	3x 400 V, 50/60 Hz
Compressed air	6 bar
Network	RJ-45
Dimensions and weight	
Width x Depth x Height	1100 x 1000 x 1800 mm [2]
Weight	720 kg [2]

[1] depending on material and terminal geometry

[2] approximate specification in basic equipment



EQUIPMENT

Base equipment

- Eccentric press
- Machine cover
- Sliding table for two distributors types
- Crimp force monitoring
- Optical control of the crimp sleeves

Optional extensions

- Foot switch
- Networking module
- Remote service module
- Optical control of insulators
- Optical control of the fixing tapes



BRANCHES WORLDWIDE

GERMANY

Schäfer Werkzeug- und Sondermaschinenbau GmbH

Dr.-Alfred-Weckesser-Straße 6
76669 Bad Schönborn
Germany
Phone: +49 7253 9421 0
Fax: +49 7253 9421 94
E-Mail: info@schaefer.biz

Schäfer GmbH, Werkzeug- und Sondermaschinenbau

Industriegebiet Auf der Aue 1
99834 Gerstungen
Germany
Phone: +49 36927 9520
Fax: +49 36927 90478
E-Mail: unterellen@schaefer.biz

U. Kolb Werkzeug-Vertriebsgesellschaft mbH

Neuer Weg 32
71111 Waldenbuch
Germany
Phone: +49 7157 / 27585
Fax: +49 7157 / 72901
E-Mail: info@u-kolb-gmbh.de

USA

Schaefer Technologies LLC

751 N. Raddant Road
Batavia, IL 60510
USA
Phone: +1 630 406 9377
Fax: +1 630 406 9381
E-Mail: batavia@schaefer.biz

Schaefer Megomat USA Inc.

2349 S. Commerce Drive,
New Berlin, WI 53151
USA
Phone: +1 262 524 1100
Fax: +1 262 524 1133
E-Mail: newberlin@schaefer.biz

Schaefer Megomat USA Inc.

10767 Gateway Blvd. West, Suite 510
El Paso, TX 79935
USA
Phone: +1 915 598 3037
Fax: +1 915 598 5374
E-Mail: elpaso@schaefer.biz

TUNESIA

Schaefer Tunisie SARL

Cité Echabeb, Avenue Essalem 18
4061 Sousse
Tunisia
Phone: +216 73 334 644
Fax: +216 73 334 645
E-Mail: sousse@schaefer.biz

ROMANIA

Schaefer Romania SRL

62 Petru Rares Str.
2900 Arad
Romania
Phone: +40 263 20 6021
Fax: +40 263 20 6021
E-Mail: arad@schaefer.biz

SWITZERLAND

Schäfer Megomat AG

Chollerstrasse 23
6312 Steinhausen
Switzerland
Phone: +41 41 748 58 00
Fax: +41 41 748 58 01
E-Mail: zug@schaefer.biz

POLAND

Schäfer Werkzeug- und Sondermaschinenbau GmbH

ul. ks. Bednorza 2a-6
40-384 Katowice
Poland
Phone: +48 32 608 1148
Fax: +48 32 608 1149
E-Mail: katowice@schaefer.biz

CHINA

Schaefer Trading (Shanghai) Co., Ltd.

Room 103, Building A
No. 355, Guang Zhong Road
Ming Hang District
Shanghai 201108
China
Phone: +86 21 3463 5025
Fax: +86 21 3463 5026
E-Mail: shanghai@schaefer.biz



VISIT US AT

WWW.SCHAEFER.BIZ

